



# Geometric Sconces (GST/GSR/GSQ)

## Wall Sconce



### OVERVIEW

Lumen Output Range	2,000 -8,000
Wattage	18 - 67
Efficacy Range (LPW)	108 - 133
Fixture Weight lbs (kg)	15 (6.8)

### QUICK LINKS

[Ordering Guide](#)
[Performance](#)
[Photometrics](#)
[Dimensions](#)

## FEATURES & SPECIFICATIONS

### Construction

- Rugged die-cast aluminum housing.

### Optical System

- Tempered glass lens.
- Reflector system with recessed light engine reduces glare and brightness.
- Forward throw distribution with zero up-light.
- Available in 5000K, 4000K and 3000K color temperatures per ANSI C78.377.
- Minimum CRI of 70

### Electrical

- High-performance driver features overvoltage, under-voltage, short-circuit and over temperature protection.
- 0-10V dimming (10% - 100%) standard.
- Standard Universal Voltage (120-277 VAC) Input 50/60 Hz.
- Total harmonic distortion: <20%
- Operating temperature: -40°C to +40°C (-40°F to +104°F).
- Power factor: >.90
- Input power stays constant over life.

- Optional 10kV surge protection device meets a minimum Category C Low operation (per ANSI/IEEE C62.41.2).
- Driver and key electronic components can easily be accessed.

### Controls

- Integral passive infrared Bluetooth™ motion and photocell sensor options. Fixtures operate independently and can be commissioned via an iOS or Android configuration app. Updates and modifications to the control strategy are easily implemented via an intuitive app..
- LSI's AirLink™ Blue lighting control system is a simple feature rich wireless Bluetooth mesh network. The integrated fixture sensor module provides wireless control of grouped fixtures based on motion sensors, daylight or a fully customizable schedule. Installation.

### Installation

- Universal wall mounting plate mounts directly to vertical surface or 4" junction box (octagonal or square).
- Luminaire hinges to the top of the mounting plate and is secured via two set screws that conceal the hardware.

### Warranty

- LSI luminaires carry a 5-year limited warranty. Refer to <https://www.lsicorp.com/resources/terms-conditions-warranty/> for more information.

### Listings

- Listed to UL 1598 and UL 8750.
- IDA compliant; with 3000K color temperature selection.
- Title 24 Compliant; see local ordinance for qualification information.
- Suitable for wet locations.





# Geometric Sconces

## ORDERING GUIDE

[Back to Quick Links](#)TYPICAL ORDER EXAMPLE: **GST 6L FT UNV 40K7 BRZ PCIUNV BB**

Prefix	Lumen Package	Distribution	Voltage
<b>GST</b> - Trapezoid Geometric Sconce	2L - 2,000 lms	FT - Forward Throw	UNV - Universal Voltage (120-277V)
<b>GSR</b> - Radius/Half Round Geometric Sconce	4L - 4,000 lms		
<b>GSQ</b> - Quarter Sphere Geometric Sconce	6L - 6,000 lms		
	8L - 8,000 lms		
Color Temp	Finish	Controls	Options
50K7 - 5,000K CCT - 70 CRI 40K7 - 4,000K CCT - 70 CRI 30K7 - 3,000K CCT - 70 CRI	BRZ - Bronze BLK - Black <sup>5</sup> SLV - Silver <sup>5</sup> WHT - White <sup>5</sup>	Blank - No Controls <b>Wireless Controls Systems</b> ALBCS1 - AirLink Blue Wireless Motion & Photo Sensor Controller (8-24' MH) <sup>1</sup> <b>Stand-Alone Controls</b> IMSBT1 - Integral Bluetooth™ Motion and Photocell Sensor (8-24' MH) <sup>2</sup> <b>Button Photocell</b> <sup>4</sup> PCIUNV - Universal Voltage Photocell (120-277V)	SP1 - 10k Surge Protector BB - Battery Back-up (0°C) <sup>3</sup>

### Accessory Ordering Information<sup>3</sup>

Mounting Accessories	
Description	Order Number
Wet Location Surface Conduit/Wiring box	739106

#### FOOTNOTES:

- 1 - Not available in 2L configuration.
- 2 - IMSBT is field configurable via the LSI app that can be downloaded from your smartphone's native app store.
- 3 - Accessories are shipped separately and field installed.
- 4 - Not available in GSO housing.
- 5 - Limited product availability for non bronze paint finishes, please consult factory before ordering.



**PERFORMANCE**

<b>DELIVERED LUMENS (GST)*</b>												
Lumen Package	Distribution	CRI	3000K CCT			4000K CCT			5000K CCT			Wattage
			Delivered Lumens	Efficacy	BUG Rating	Delivered Lumens	Efficacy	BUG Rating	Delivered Lumens	Efficacy	BUG Rating	
2L	FT	70	2205	112	B1-U0-G1	2328	129	B1-U0-G1	2335	130	B1-U0-G1	18
4L			3901	116	B1-U0-G1	4119	125	B1-U0-G1	4131	125	B2-U0-G1	33
6L			5535	113	B2-U0-G1	5845	119	B2-U0-G1	5845	119	B2-U0-G1	49
8L			7185	108	B2-U0-G1	7587	115	B2-U0-G1	7609	115	B2-U0-G1	66

<b>DELIVERED LUMENS (GSR)*</b>												
Lumen Package	Distribution	CRI	3000K CCT			4000K CCT			5000K CCT			Wattage
			Delivered Lumens	Efficacy	BUG Rating	Delivered Lumens	Efficacy	BUG Rating	Delivered Lumens	Efficacy	BUG Rating	
2L	FT	70	2241	115	B1-U0-G1	2366	131	B1-U0-G1	2373	132	B1-U0-G1	18
4L			3964	121	B1-U0-G1	4186	127	B2-U0-G1	4198	127	B2-U0-G1	33
6L			5625	117	B2-U0-G1	5940	121	B2-U0-G1	5958	122	B2-U0-G1	49
8L			7301	111	B2-U0-G1	7709	117	B2-U0-G1	7732	117	B2-U0-G1	66

<b>DELIVERED LUMENS (GSQ)*</b>												
Lumen Package	Distribution	CRI	3000K CCT			4000K CCT			5000K CCT			Wattage
			Delivered Lumens	Efficacy	BUG Rating	Delivered Lumens	Efficacy	BUG Rating	Delivered Lumens	Efficacy	BUG Rating	
2L	FT	70	2252	123	B1-U0-G1	2378	132	B1-U0-G1	2385	133	B1-U0-G1	18
4L			3984	121	B1-U0-G1	4207	127	B2-U0-G1	4220	128	B2-U0-G1	33
6L			5654	116	B2-U0-G1	5970	122	B2-U0-G1	5988	122	B2-U0-G1	49
8L			7337	111	B2-U0-G1	7748	117	B2-U0-G1	7771	118	B2-U0-G1	66

<b>ELECTRICAL DATA*</b>				
Lumens	120V	208V	240V	277V
2L	0.13	0.07	0.06	0.05
4L	0.25	0.14	0.13	0.11
6L	0.42	0.24	0.21	0.18
8L	0.60	0.35	0.30	0.26

\*Electrical data at 25C (77F). Actual wattage may differ by +/-10%.

<b>RECOMMENDED LUMEN MAINTENANCE <sup>1</sup></b>					
Ambient Temp	Lumen Multiplier				
	0 hrs. <sup>2</sup>	25K hrs. <sup>2</sup>	50K hrs. <sup>2</sup>	75K hrs. <sup>3</sup>	100K hrs. <sup>3</sup>
0 C - 40 C	100%	94%	87%	82%	76%

1. Lumen maintenance values at 25°C are calculated per TM-21 based on LM-80 data and in-situ luminaire testing.
2. In accordance with IESNA TM-21-11, Projected Values represent interpolated value based on time durations that are within six times (6X) the IESNA LM-80-08 total test duration (in hours) for the device under testing ((DUT) i.e. the packaged LED chip).
3. In accordance with IESNA TM-21-11, Calculated Values represent time durations that exceed six times NA LM-80-08 total test duration (in hours) for the device under testing ((DUT) i.e. the packaged LED chip).



# Geometric Sconces

[Back to Quick Links](#)

## PHOTOMETRICS

All published luminaire photometric testing performed to IESNA LM-79 standards by a certified laboratory. For complete specifications and IES files, see website.

### GST 6L FT UNV 40 BRZ

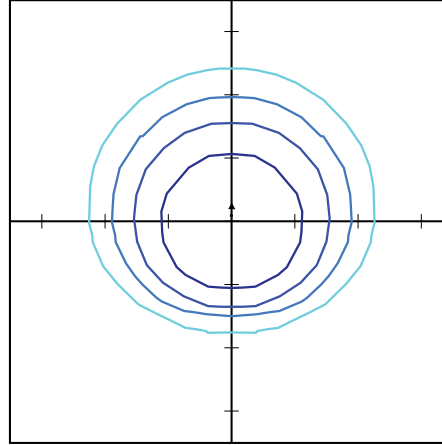
#### LUMINAIRE DATA

Type UD Distribution	
Description	4000 Kelvin, 70 CRI
Delivered Lumens	5,845
Watts	49
Efficacy	119
IES Type	Type III - Very Short
BUG Rating	B2-U0-G1

#### Zonal Lumen Summary

Zone	Lumens	%Luminaire
Low (0-30)°	1787	31%
Medium (30-60)°	3146	54%
High (60-80)°	875	15%
Very High (80-90)°	38	1%
Uplight (90-180)°	0	0%
Total Flux	5845	100%

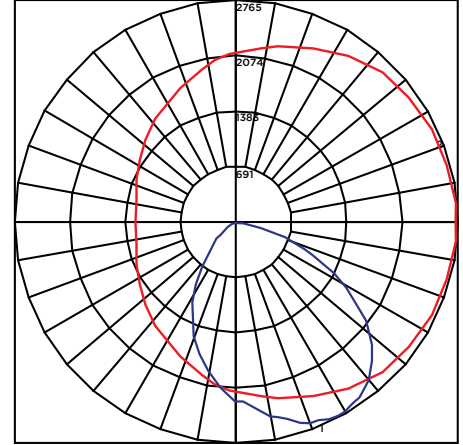
#### ISO FOOTCANDLE



#### 10' Mounting Height/10' Grid Spacing

5 FC  
  2 FC  
  1 FC  
  0.5 FC

#### POLAR CURVE

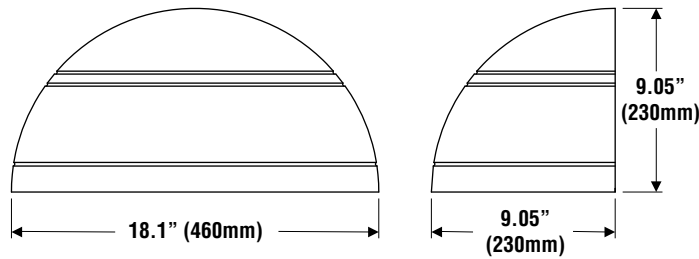
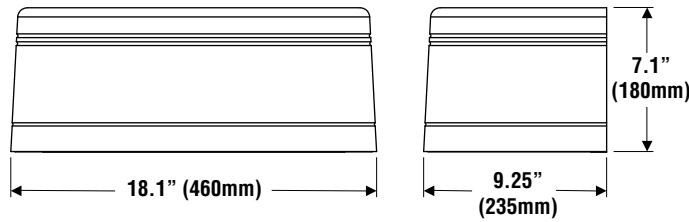
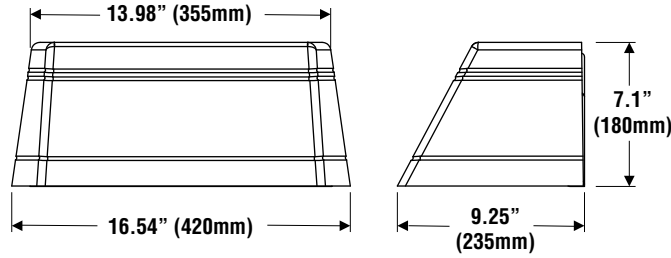




# Geometric Sconces

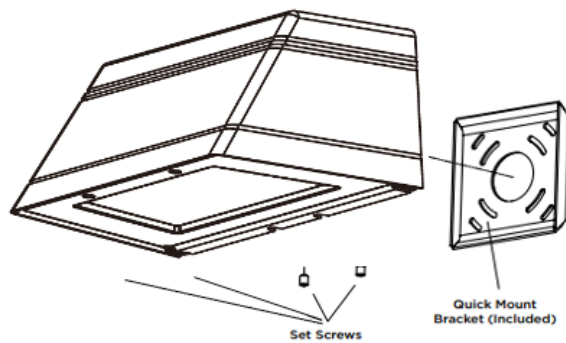
[Back to Quick Links](#)

## PRODUCT DIMENSIONS

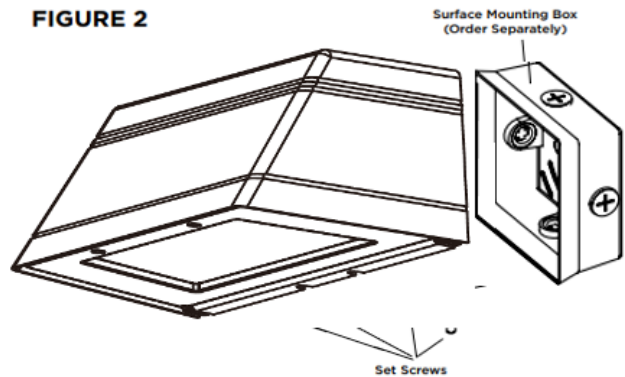


## MOUNTING OPTIONS

### MOUNTING OVER JUNCTION BOX



### FIGURE 2



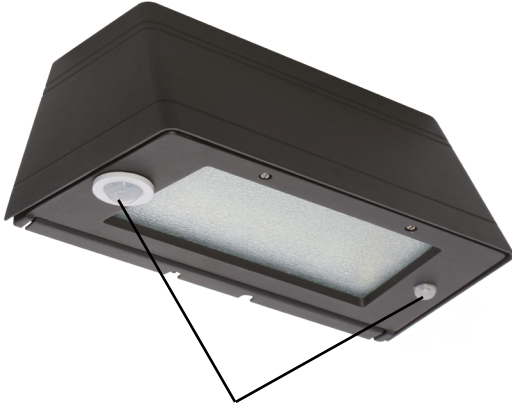


# Geometric Sconces

## BATTERY BACKUP

---

Emergency battery system provides 90-minutes of constant power to the LED system, ensuring code compliance. A test switch/indicator button is installed on the housing for ease of maintenance. The fixture delivers ~1000 lumens during emergency mode.



Luminaire shown with sensor  
and battery back

## CONTROLS

---

### Integral Bluetooth™ Motion and Photocell Sensor (IMSBT)

Slim low profile sensor provides multi-level control based on motion and/or daylight. Sensor controls 0-10 VDC LED drivers and is rated for cold and wet locations (-30° C to 70° C). Two unique PIR lenses are available and used based on fixture mounting height. All control parameters are adjustable via an iOS or Android App capable of storing and transmitting sensor profiles.

[Click here to learn more about IMSBT.](#)

### AirLink Blue

Wireless Bluetooth Mesh Outdoor Lighting Control System that provides energy savings, code compliance and enhanced safety/security for parking lots and parking garages. Three key components; Bluetooth wireless radio/sensor controller, Time Keeper and an iOS App. Capable of grouping multiple fixtures and sensors as well as scheduling time-based events by zone. Radio/Sensor Controller is factory integrated into Area/Site, Wall Mounted, Parking Garage and Canopy luminaires.

[Click here to learn more about AirLink Blue.](#)

